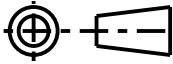


THIRD ANGLE PROJECTION

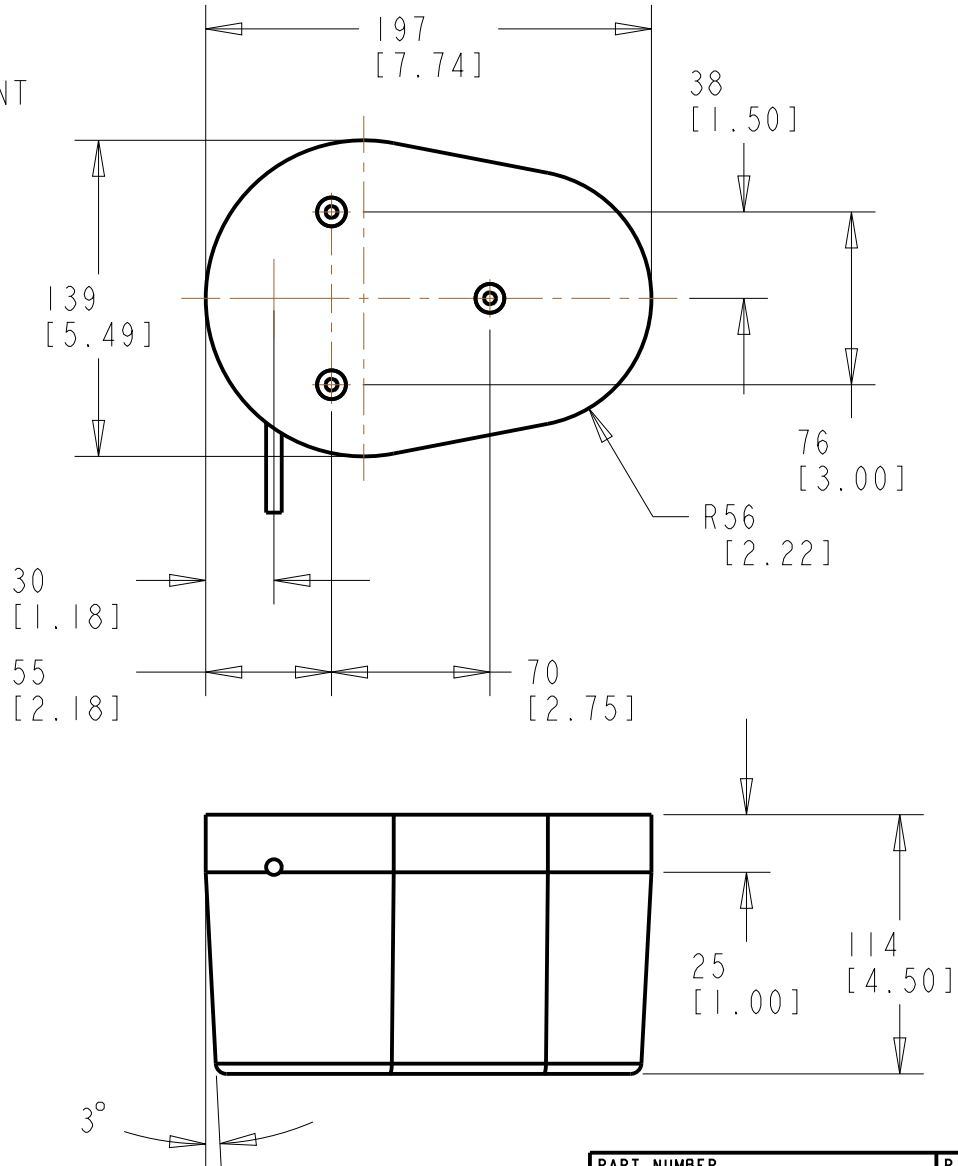
DOCUMENT REVISIONS



REV	DESCRIPTION	CO NO.	DATE	CHG/CHK
1	INITIAL RELEASE	2589	04/27/21	DLS/LRS

NOTES:

1. ROHS COMPLIANT



PART NUMBER	P/N REV
N/A	N/A

UNLESS OTHERWISE SPECIFIED	SIGNATURE	DATE
DIMENSIONS ARE IN MILLIMETERS TOLERANCES ON 0 PL DECIMALS: ±1 1 PL DECIMALS: ±0.5 ANGLES: ±1/2°	DRAWN: F.CHASE	05/17/16
	CHECKED: E.BEISWENGER	05/18/16



AIRMAR TECHNOLOGY CORPORATION
 35 MEADOWBROOK DR
 MILFORD NH 03055-4613 USA
 TEL: 603-673-9570 FAX: 603-673-4624

TITLE
OUTLINE DRAWING MI95

MATERIAL	CAST URETHANE WITH STAINLESS STEEL INSERTS
----------	--------------------------------------------

SIZE	SCALE: NONE	DOC NUMBER	DOC REV
A	SHEET 1 OF 1	D-92-303-01	1

THIS DOCUMENT AND THE DATA DISCLOSED HEREIN OR HEREWITH IS NOT TO BE REPRODUCED, USED, OR DISCLOSED IN WHOLE OR IN PART TO ANYONE WITHOUT THE PERMISSION OF AIRMAR.

CRITICAL DIMENSION	(REF)
DO NOT SCALE DRAWING	