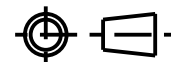


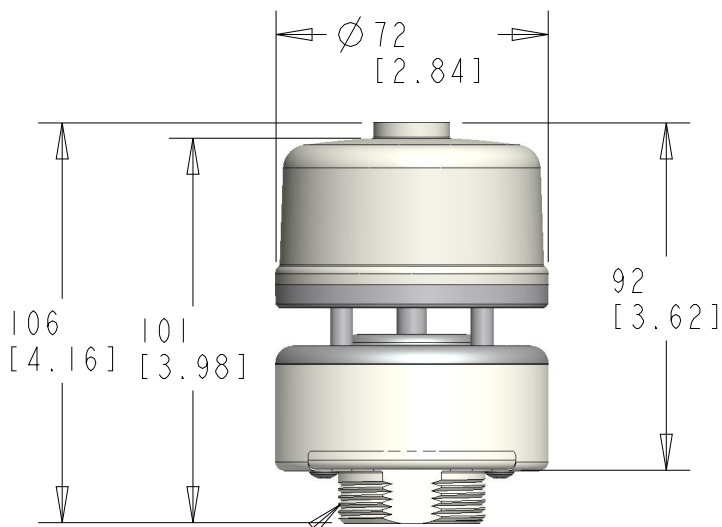
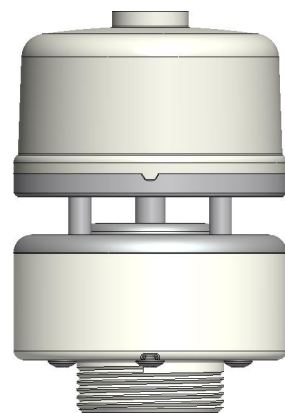
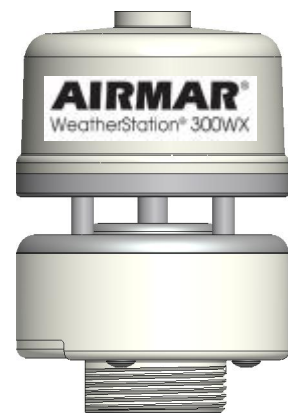
THIRD ANGLE PROJECTION



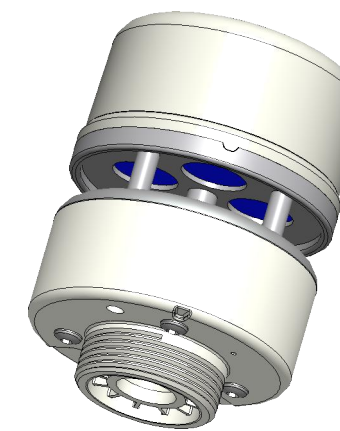
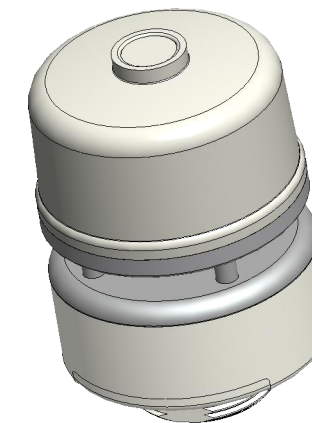
DOCUMENT REVISIONS

REV	DESCRIPTION	CO NO.	DATE	CHG/CHK
I	INITIAL RELEASE	----	01/28/26	EJB/JD

CAP MARKING OPTIONAL &
NOT SHOWN IN ALL VIEWS



M39 X 2 THREAD



PART NUMBER	P/N REV
N/A	N/A

UNLESS OTHERWISE SPECIFIED	SIGNATURE	DATE
DIMENSIONS ARE IN MILLIMETERS [INCHES] TOLERANCES ON 2 PL DECIMALS: ±1 3 PL DECIMALS: ±0.5 ANGLES: ±1/2° FRACTIONS: ±1/16	DRAWN: E.BEISWENGER	01/26/26
	CHECKED: J.DECARLO	01/27/26

AIRMAR AIRMAR TECHNOLOGY CORPORATION
 35 MEADOWBROOK DR
 MILFORD NH 03055-4613 USA
 TEL: 603-673-9570 FAX: 603-673-4624

TITLE
 OUTLINE DRAWING 300WX, W/O RH

MATERIAL
 CHEMICAL RESISTANT WEATHERABLE PLASTIC
 AND ANODIZED ALUMINUM

SIZE	SCALE: 1/2	DOC NUMBER	DOC REV
B	SHEET 1 OF 1	D-23348	I

THIS DOCUMENT AND THE DATA DISCLOSED HEREIN OR HEREWITH IS NOT TO BE REPRODUCED, USED, OR DISCLOSED IN WHOLE OR IN PART TO ANYONE WITHOUT THE PERMISSION OF AIRMAR

CRITICAL DIMENSIONS (REF) DO NOT SCALE DRAWING