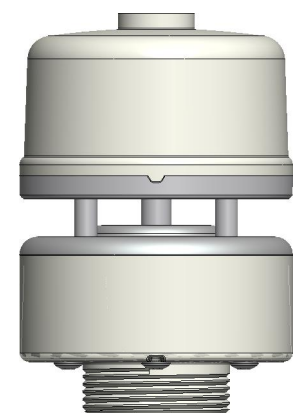
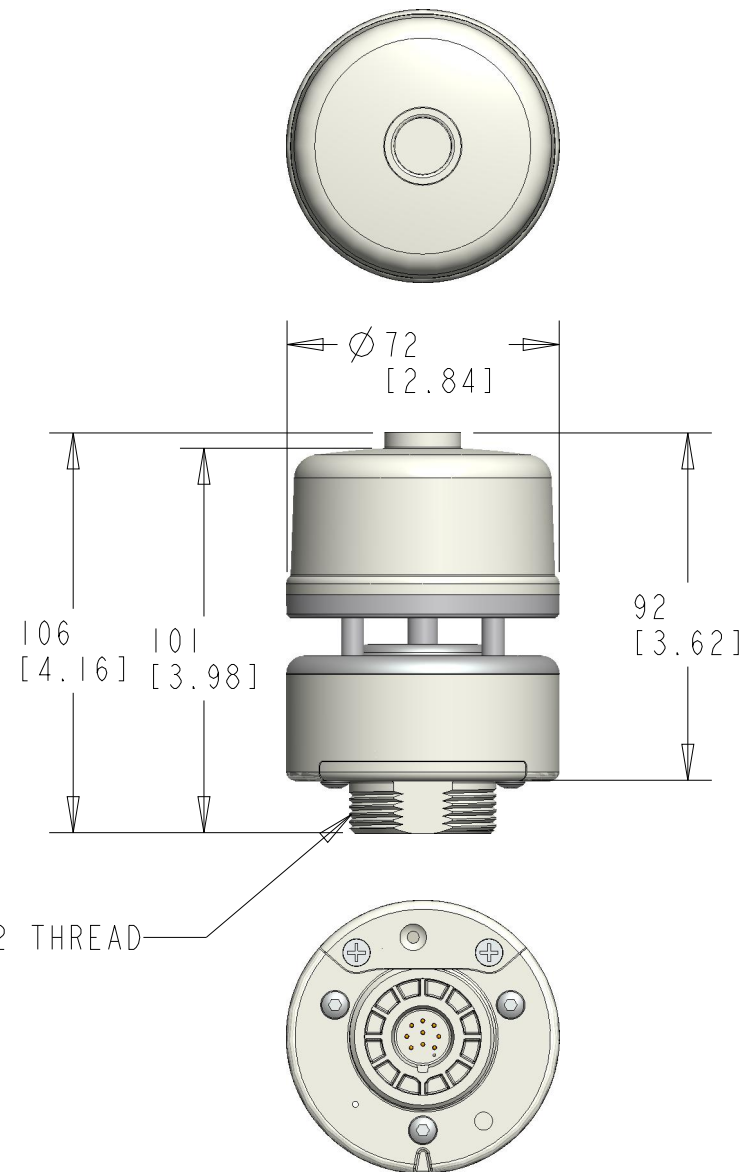


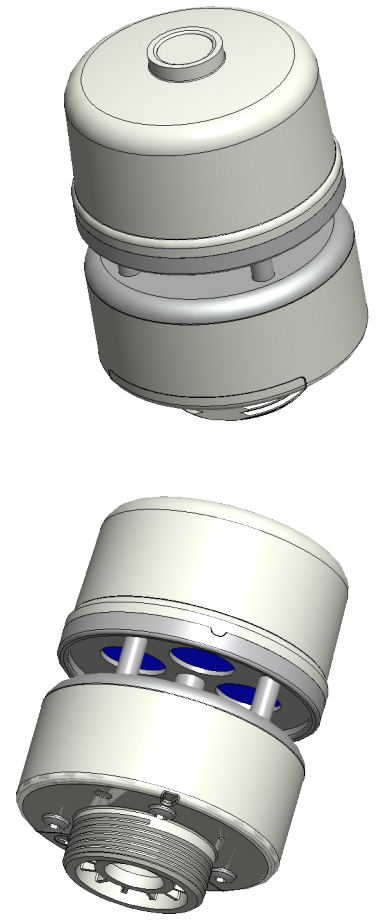
THIRD ANGLE PROJECTION		DOCUMENT REVISIONS			
	REV	DESCRIPTION	CO NO.	DATE	CHG/CHK
	I	INITIAL RELEASE	----	01/28/26	EJB/JD



CAP MARKING OPTIONAL & NOT SHOWN IN ALL VIEWS



M39 X 2 THREAD



PART NUMBER	P/N REV
N/A	N/A

UNLESS OTHERWISE SPECIFIED DIMENSIONS ARE IN MILLIMETERS [INCHES] TOLERANCES ON 2 PL DECIMALS: ±1 3 PL DECIMALS: ±0.5 ANGLES: ±1/2° FRACTIONS: ±1/16	SIGNATURE	DATE
	DRAWN: E.BEISWENGER	12/15/25
	CHECKED: J.DECARLO	12/15/25
MATERIAL CHEMICAL RESISTANT WEATHERABLE PLASTIC AND ANODIZED ALUMINUM		

<b>AIRMAR</b>		AIRMAR TECHNOLOGY CORPORATION 35 MEADOWBROOK DR MILFORD NH 03055-4613 USA TEL: 603-673-9570 FAX: 603-673-4624	
TITLE OUTLINE DRAWING, 300WX W/RH			
SIZE B	SCALE: 1/2 SHEET 1 OF 1	DOC NUMBER D-23271	DOC REV 1

THIS DOCUMENT AND THE DATA DISCLOSED HEREIN OR HEREWITH IS NOT TO BE REPRODUCED, USED, OR DISCLOSED IN WHOLE OR IN PART TO ANYONE WITHOUT THE PERMISSION OF AIRMAR