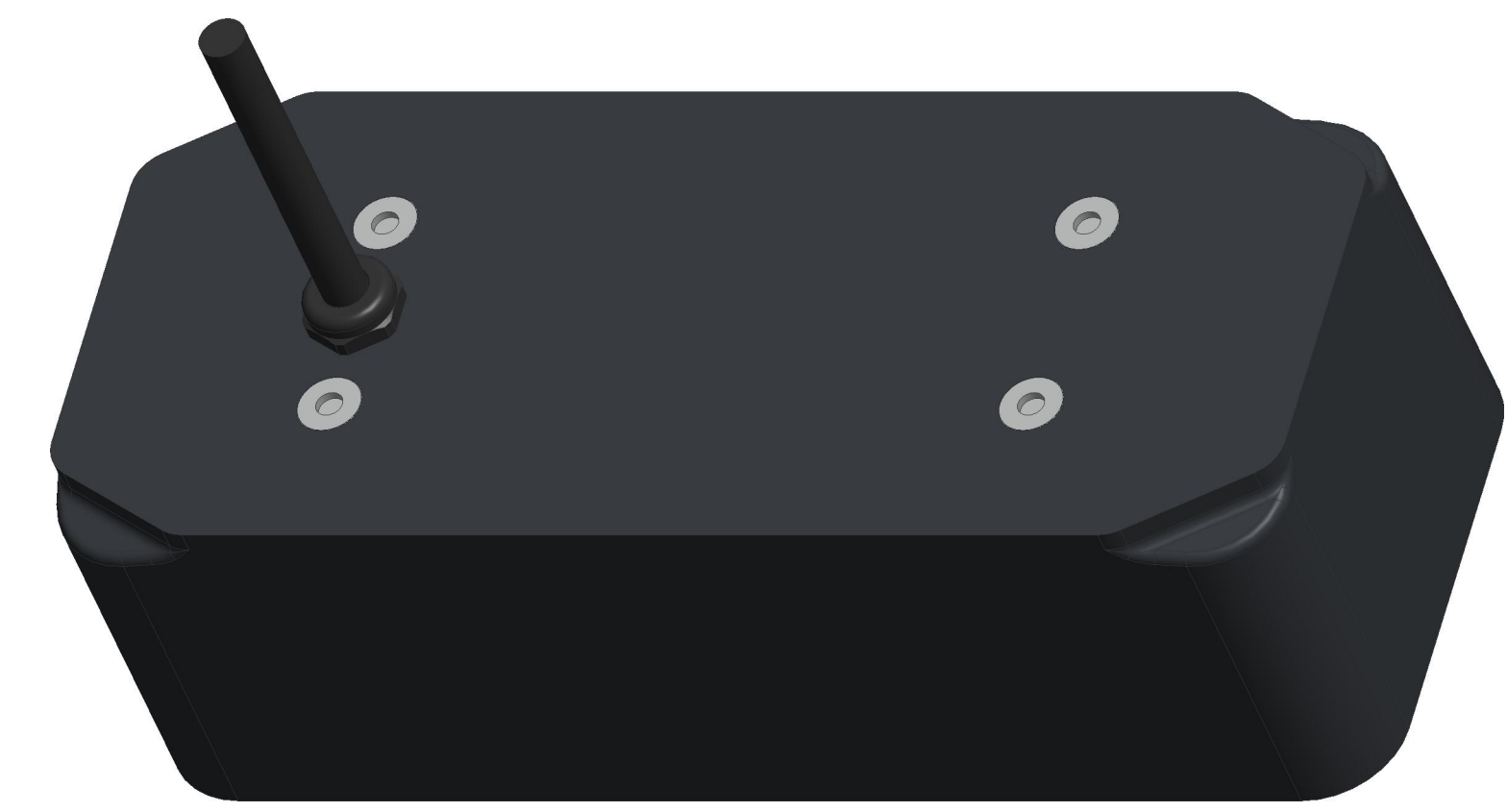
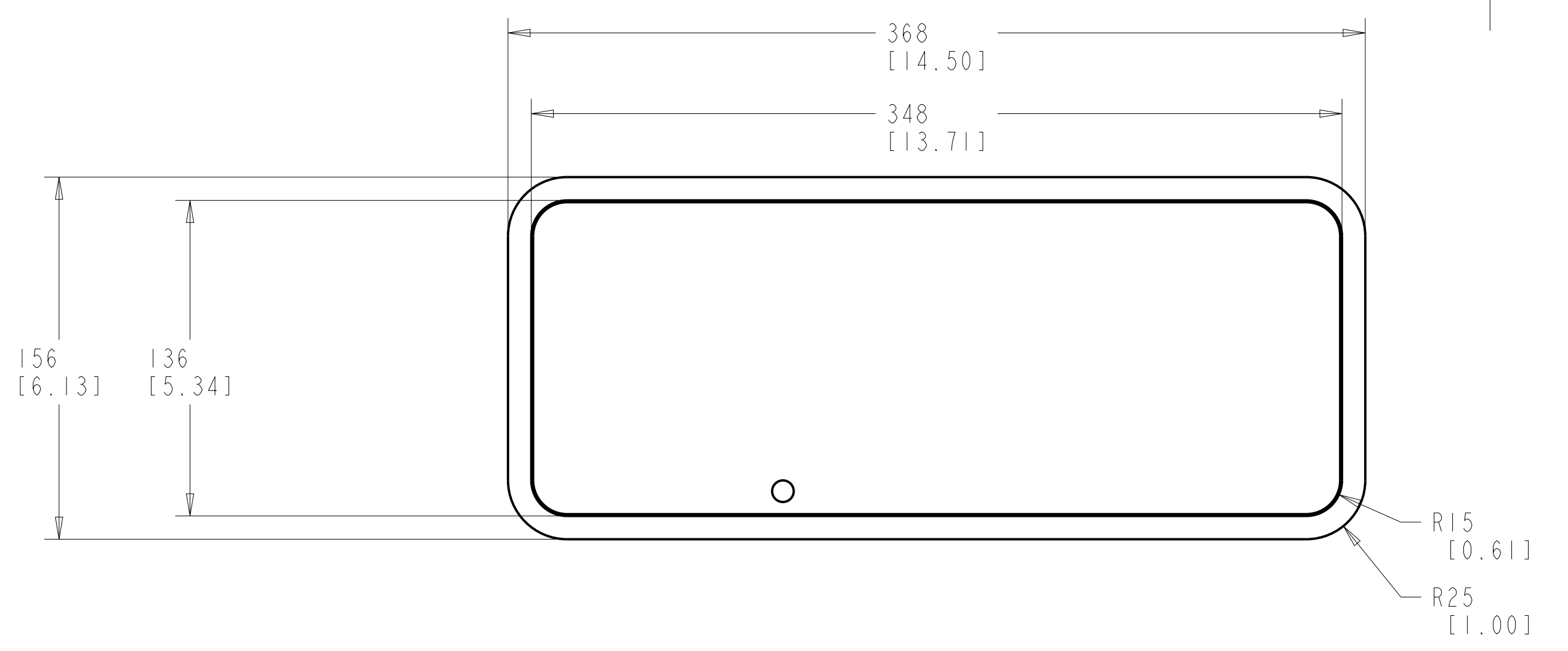
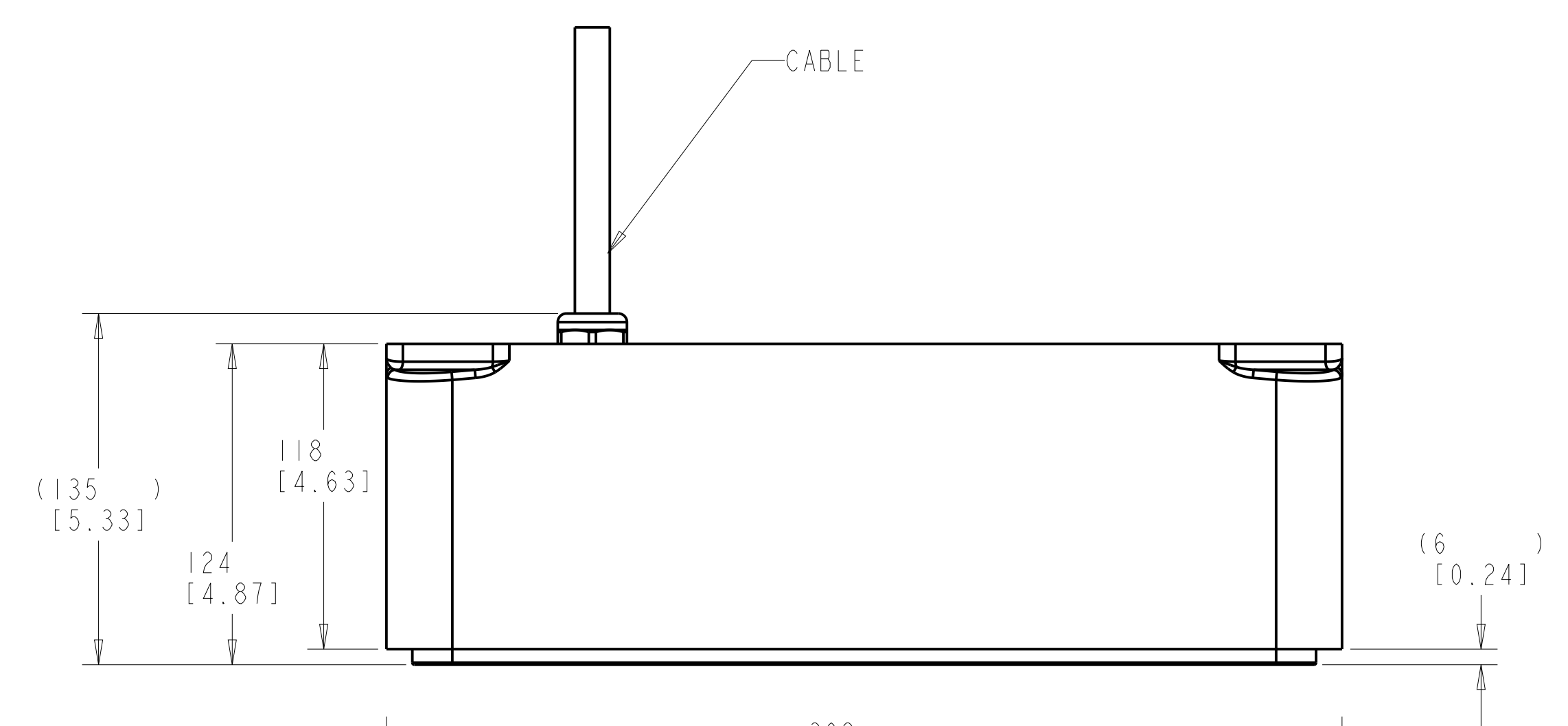
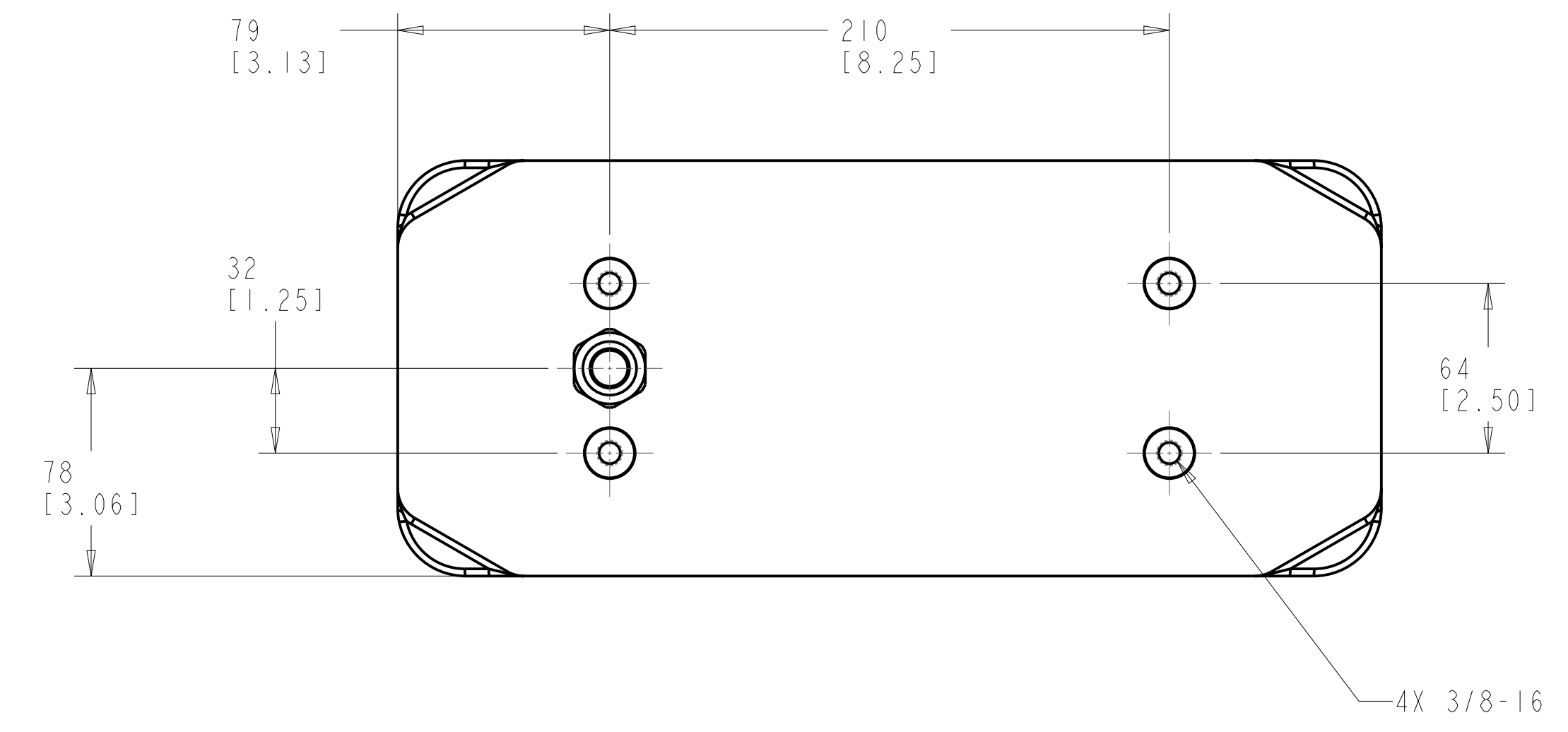


THIRD ANGLE PROJECTION		DOCUMENT REVISIONS			
REV	DESCRIPTION	CO. NO.	DATE	CHG/CHK	
1	INITIAL RELEASE	2839	08/19/21	DLS/JD	
2	ADD THREAD NOTE. CHANGE PRIMARY DIM. TO MM. CLARIFY HEIGHT DIM.	6488	03/20/26	JD/EJB	



UNLESS OTHERWISE SPECIFIED	SIGNATURE	DATE
DIMENSIONS ARE IN MM [IN]	DRAWN: D.SPALDING	08/19/2021
TOLERANCES ON	CHECKED: J DECARLO	08/23/2021
0 PL DECIMALS: ±1		
1 PL DECIMALS: ±0.5		
ANGLES: ±1/2°		
FRACTIONS: ±1/16		

PART NUMBER	N/A	P/N REV	N/A
		AIRMAR TECHNOLOGY CORPORATION 35 MEADOWBROOK DR. MILFORD, NH 03055-4613 USA TEL: 603-673-9570 FAX: 603-673-4624	
TITLE			
OUTLINE DRAWING			
PMIII, PM4II			

MATERIAL	HOUSING, ACOUSTIC WINDOW: URETHANE
----------	------------------------------------

SIZE	D	SCALE: 1/2	DOC NUMBER	D-20209	DOC REV	2
		SHEET 1 OF 1				

THIS DOCUMENT AND THE DATA DISCLOSED HEREIN OR HERewith IS NOT TO BE REPRODUCED, USED, OR DISCLOSED IN WHOLE OR IN PART TO ANYONE WITHOUT THE PERMISSION OF AIRMAR. (CRITICAL DIMENSION) (REF) DO NOT SCALE DRAWING