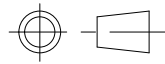


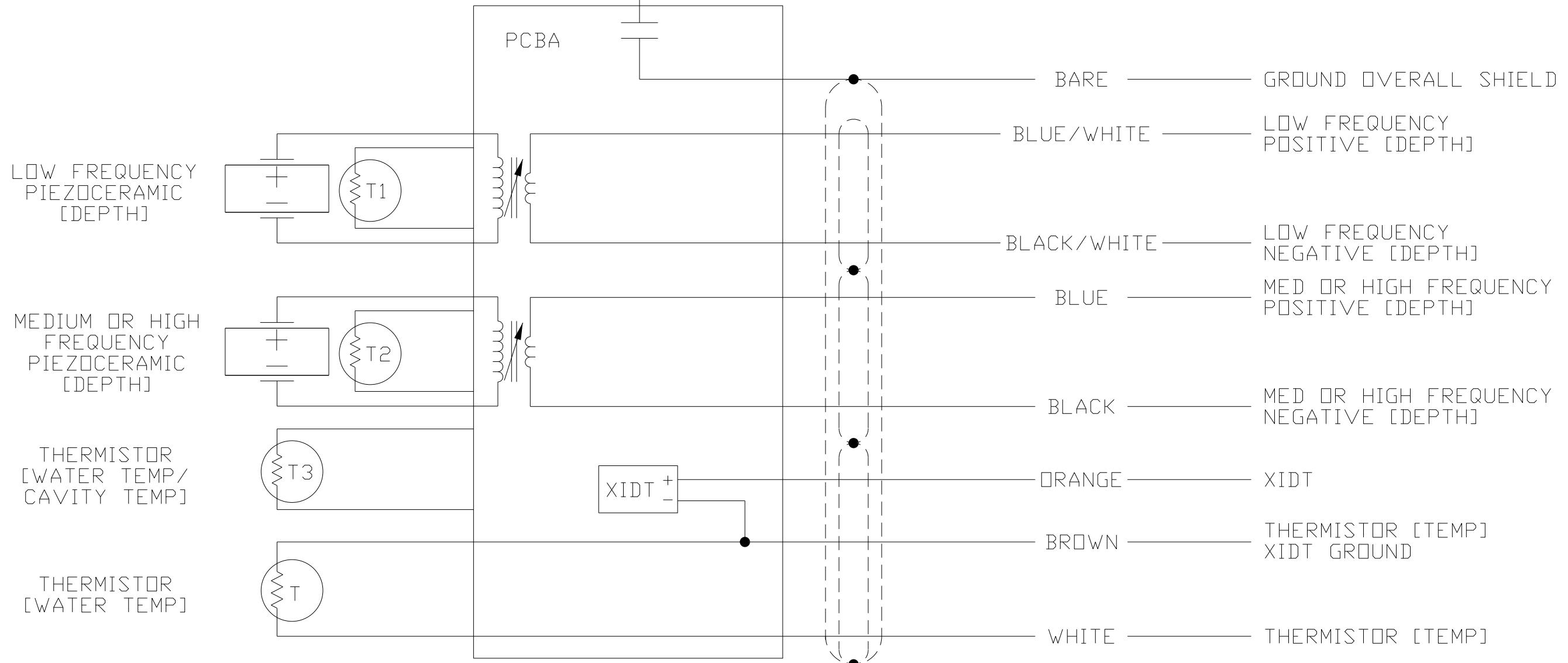
THIRD ANGLE PROJECTION



DOCUMENT REVISIONS

REV	DESCRIPTION	CD NO.	DATE	CHG/CHK
1	INITIAL RELEASE	4174	06/06/23	RLE/MIR
2	CHANGE LOW FREQ 19 ELEMENT ARRAY TO LOW FREQUENCY CERAMIC. ADD XLM265, XLM275 TO TITLE.	6623	05/27/26	RLE/WJL

METAL PLATE



NOTES:

1. VIOLET WIRE IS CUT OFF ON BOTH ENDS.

UNLESS OTHERWISE SPECIFIED	SIGNATURE	DATE
DIMENSIONS ARE IN INCHES	ORIGINATOR I.ROBB	05/10/23
TOLERANCES ON	DRAWN R.EVANS	05/10/23
2 PL DECIMALS ±0.02	CHECKED I.ROBB	06/06/23
3 PL DECIMALS ±0.005	APPROVED W.LETENDRE	06/06/23
ANGLES ± 1/2°		
FRACTIONS ± 1/32		
SURFACE FINISH 63		

MATERIAL
CABLE: 06-425

PART NUMBER N/A	P/N REV N/A
AIRMAR AIRMAR TECHNOLOGY CORPORATION 35 MEADOWBROOK DR MILFORD NH 03055-4613 USA TEL: 603-673-9570 FAX: 603-673-4624	

TITLE
WIRING, DUAL FREQUENCY,
DEPTH/TEMP, XIDT. 2PC, C425, NC
(PM111, R109, R111, XLM265, XLM275)

SIZE B	SCALE: NONE	DOC NUMBER D-21458	DOC REV 2
-----------	-------------	-----------------------	--------------

THIS DOCUMENT AND THE DATA DISCLOSED HEREIN OR HEREWITH IS NOT TO BE REPRODUCED, USED, OR DISCLOSED IN WHOLE OR IN PART TO ANYONE WITHOUT THE PERMISSION OF AIRMAR

CRITICAL DIMENSIONS (REF) DO NOT SCALE DRAWING